

STARWORKS

Video Networking Software For Intel platforms

Supports up to 72 simultaneous Windows, DOS, Macintosh, and Solaris users

Supports all video formats, including high-bandwidth formats such as MPEG and JPEG

Provides transparent support for existing stand-alone multimedia applications and CD-ROM titles

Supports over 250 GB of storage and thousands of files

Offers administrator-friendly diagnostics and fast storage recovery capabilities

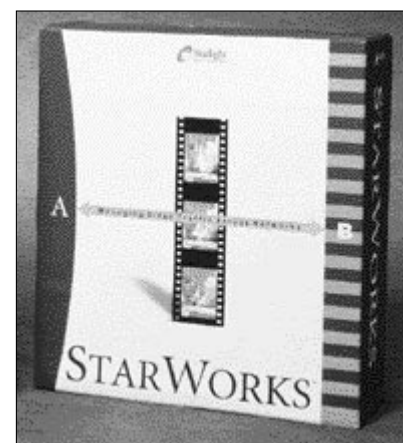
Offers a cost-effective solution based on industry-standard components

StarWorks® digital video networking software provides an innovative solution for sharing both live and stored streaming video and audio data over local area networks (LANs) such as Ethernet, Fast Ethernet, and FDDI. StarWorks makes today's standalone video applications available on the LAN and provides the foundation for future advanced networked video solutions.

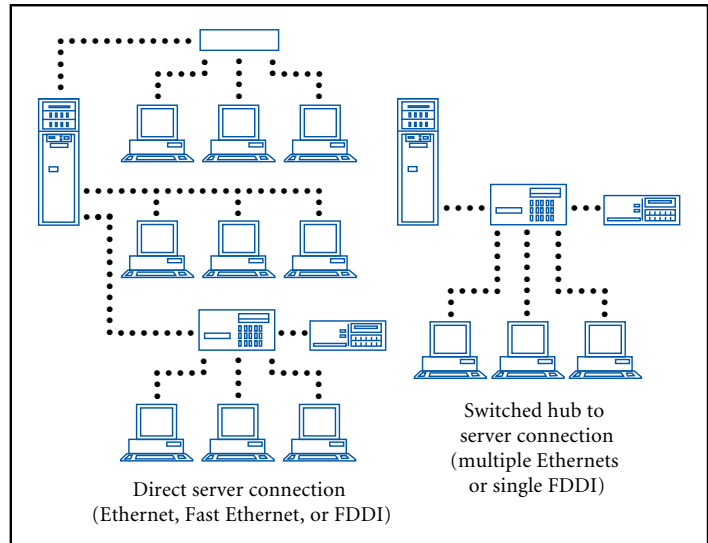
StarWorks software is based on a client/server architecture that delivers cost-effective performance for workgroup video applications. It provides reliable network delivery of any video and audio format and meets the needs of even high-bandwidth video. With StarWorks software, up to 72 simultaneous Windows, DOS, Macintosh, and Solaris users can view video applications while accessing other file servers on the LAN — without impacting their current networked applications. StarWorks even allows users to load CD-ROM multimedia titles on a video server for network access of both the video content and the multimedia application itself.

StarWorks software turns a standard 486-based EISA or Pentium PCI computer into a highly functional video application server that can handle over 250 gigabytes of digital video and audio storage and thousands of video and audio files. StarWorks server software is built on a realtime UNIX operating system to meet the realtime requirements of streaming data, yet fits into your current networking environment such as NetWare, NFS, LAN Manager, or AppleShare. In addition, StarWorks offers easy field maintenance, diagnostics, repair, and network management functions.

The StarWorks architecture supports the demanding requirements of live and stored video and audio data, and provides performance where it counts.



STARWORKS SPECIFICATIONS



Video server requirements (Contact your Starlight reseller for configuration requirements)

Minimum configuration for EISA- or PCI-based servers: i486 66 MHz,
32 MB RAM

Standard SCSI II disks and external RAID 5 system supported (size and
number depend on hours of video, aggregate bandwidth required, and
parity option)

10BaseT and FDDI supported for EISA
10BaseT, 100BaseT, and FDDI supported for PCI

Client requirements

IBM-compatible PC (DOS 5.0 or higher); Windows 3.1 (optional)
Network interface: Supports most NDIS- and ODI-compatible cards (e.g.,
3Com EtherLink III [3C509], EtherLink 16 [3C507], Intel EtherExpress)

Macintosh (System 7.0 or higher); network interface: Supports most LAP
Manager-compatible Ethernet cards

Network operating systems

NetWare; AppleShare; LAN Manager; NFS; Windows for Workgroups

Digital video systems (Contact your Starlight reseller for the most current list of supported systems)

PC compatible: Microsoft Video for Windows (Indeo); Sigma Designs
RealMagic (MPEG); Optibase PCMotion (MPEG); Intel and IBM
ActionMedia II (PLV, RTV); Digital Video Arts NewWorld (PLV, RTV);
Apple QuickTime for Windows (Cinepak); VideoLogic MediaSpace
(motion JPEG); Horizons Technology's TrueMotion; IBM PhotoMotion
for LinkWay

Macintosh compatible: QuickTime (Cinepak); SuperMac DigitalFilm
(motion JPEG); Radius VideoStudio; RasterOps MoviePak

Total server bandwidth

StarWorks-12M: 12 Mbps, eight to 10 users (EISA and PCI servers);
StarWorks-25M: 25 Mbps, 16 to 20 users (EISA and PCI servers);
StarWorks-50M: 50 Mbps, 40 users (EISA servers only);
StarWorks-60M: 60 Mbps, 40 to 48 users (PCI servers only);
StarWorks-90M: 90 Mbps, 60 to 72 users (PCI servers only)

Maximum users

Up to 72 (based on compression rate of 1.2 Mbps) on
Pentium/133 MHz platform

Starlight Networks, Inc.

205 Ravendale Drive
Mountain View, CA 94043
Phone 415 967-2774
Fax 415 967-0686
Home page: <http://www.starlight.com>

StarWorks is a registered trademark, and Starlight Networks,
Starlight, and StarLink are trademarks of Starlight Networks, Inc.
All other products are trademarks of their respective owners.
Specifications subject to change without notice.
© 1995 Starlight Networks, Inc. All rights reserved.
Printed in the U.S.A. 1295 70-10019-05

